

2018 Edition



KLASSISKT - GENUINT - TIDLÖST
**GAMLA
MEJERIET**
V.A VÄRLINGE ANNO 1893

GRP Finial Gallery

We manufacture a large range of GRP finials which are produced as standard in a Lead effect grey or Verdigris Copper finish, although we can produce them in virtually any BS colour where required, often at no extra cost.

Each of our standard finial designs can be adapted to turn them in to a bespoke solution to suit your requirements with the addition of spikes, extra balls and base skirts.

Why GRP ?

GRP is a light weight but strong material which is colour impregnated and requires no painting.



GRP finial in Lead effect, Verdigris copper effect or special gold finish.



Standard lead effect finial on top of our 'Winchester' style cupola.



'Baroque' finial in a lead effect finish.



Standard lead effect finial on top of our 'Oxford' style cupola.



'Sphere' finial in a lead effect finish.



'Globe' finial in a Verdigris finish.



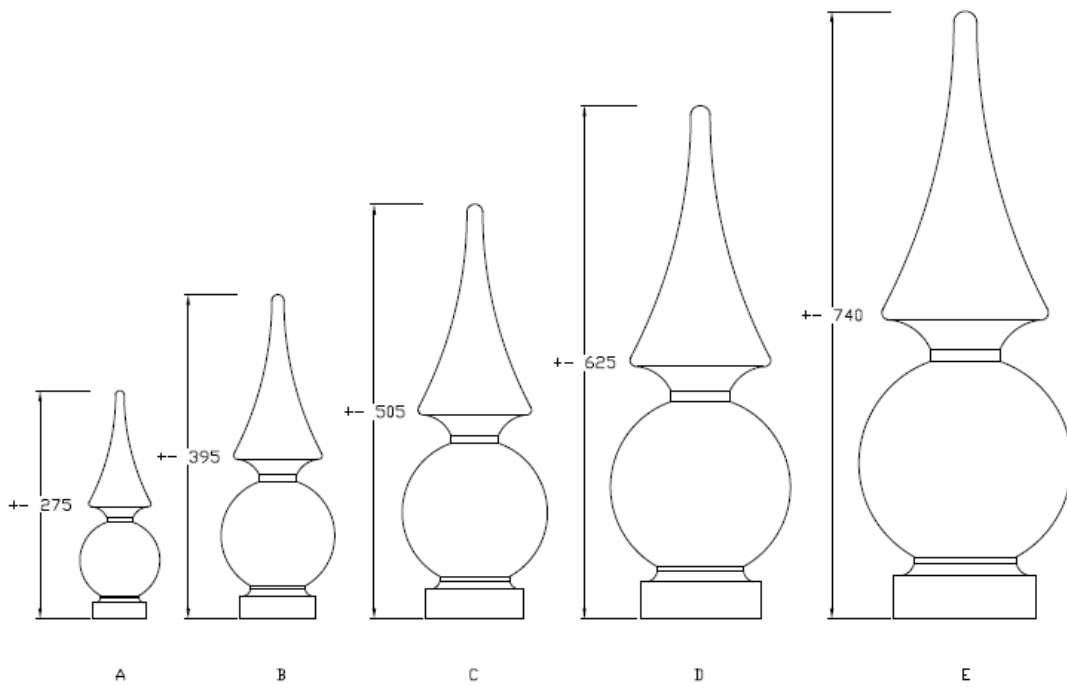
Lead effect GRP 'Pepper Pot' finial.

Fixing Kits

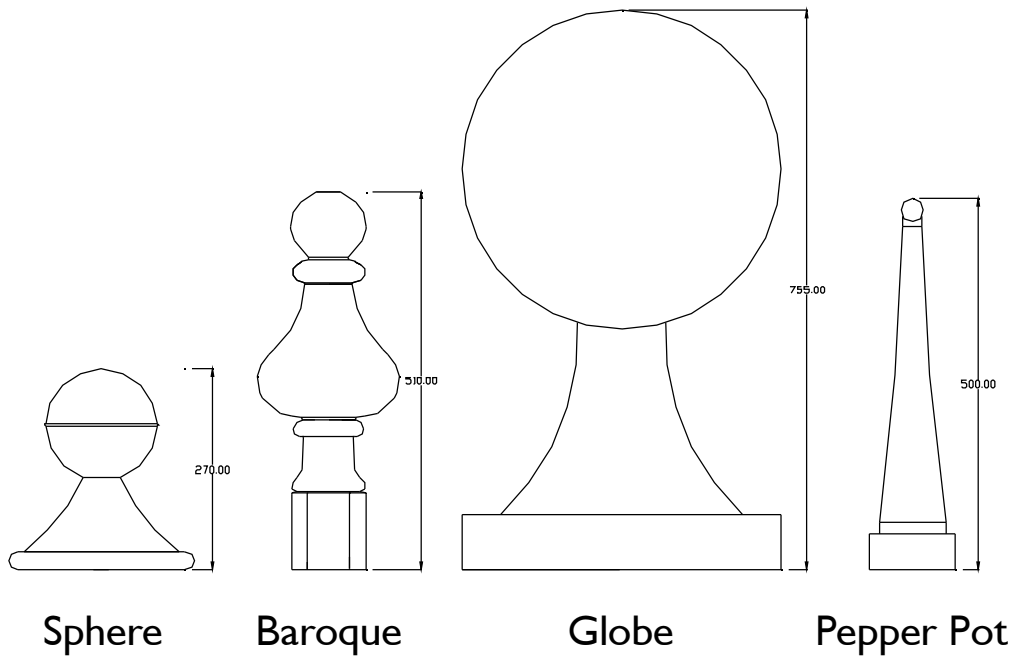
We offer a simple quick fixing solution to suit virtually any roof design.

Produced in stainless steel and brass, they are designed to last.

Standard GRP Finial Sizes



Individual GRP Finial sizes



Standard GRP Finial Prices

	GRP Lead Effect Finial				
Order Code	GRPAL	GRPBL	GRPCL	GRPDL	GRPEL
Height	275mm	395mm	505mm	625mm	740mm
Price	1440 SEK	1800 SEK	2400 SEK	3600 SEK	4800 SEK
	GRP Verdigris Effect Finial				
Order Code	GRPAV	GRPBV	GRPCV	GRPDV	GRPEV
Height	275mm	395mm	505mm	625mm	740mm
Price	2160 SEK	2520 SEK	3120 SEK	4560 SEK	6000 SEK

All prices are excluding VAT

Individual GRP Finial Prices

Name	Lead effect	Verdigris effect
Sphere	3600 SEK	4320 SEK
Baroque	3600 SEK	4320 SEK
Globe	6000 SEK	7200 SEK
Pepper Pot	3600 SEK	4320 SEK

All prices are excluding VAT

Copper Finial Gallery

All of our standard copper finials are made from 100% copper with a brass support tube, which has been formed and then either welded or soldered. We recommend leaving the finials to age naturally however we do offer a painted and Verdigris patina finish as well.



Standard copper finial in a natural finish and a Verdigris finish.

Depending on the installation a fixing kit may be required. Details of these are on page 8.



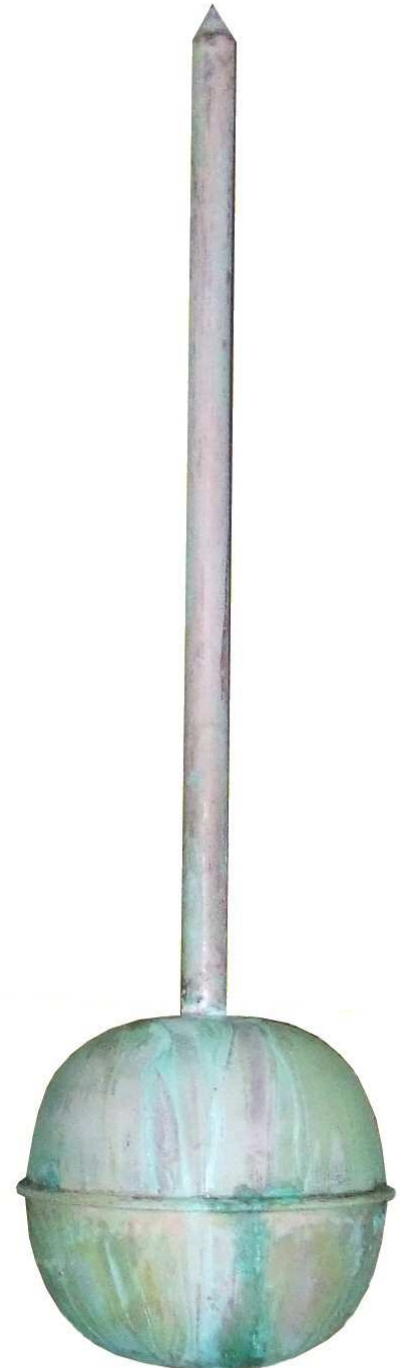
Square tapered cone copper finial in a natural finish and a Verdigris finish.



Natural and Verdigris Copper finish 'Air Rod' finials fitted to cupolas.

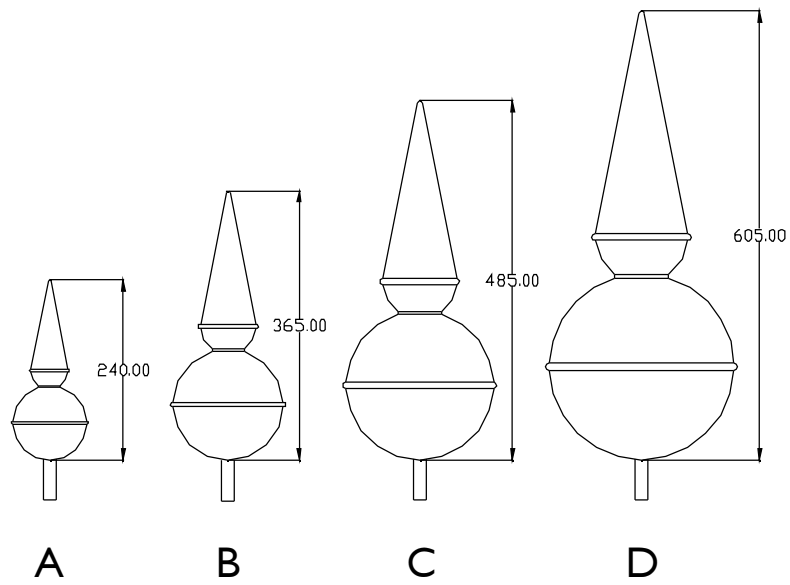


Round tapered cone copper finial in a natural finish and a Verdigris finish.

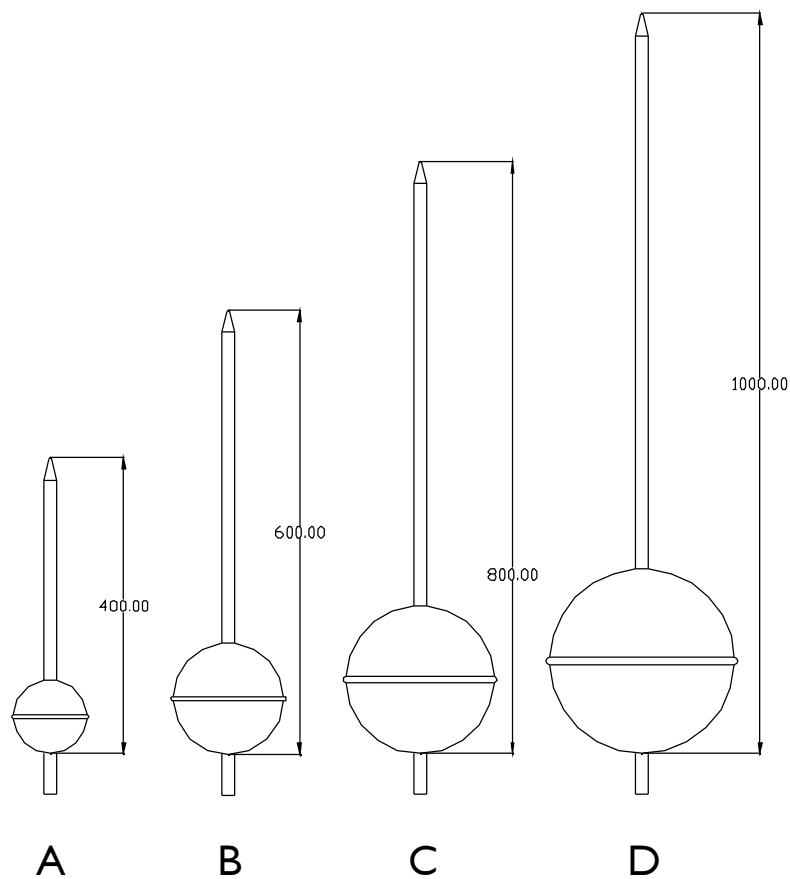


Copper 'Air Rod' finial available in a natural copper finish or a Verdigris finish as standard.

Standard Copper Finial Sizes



Copper Air Rod Sizes

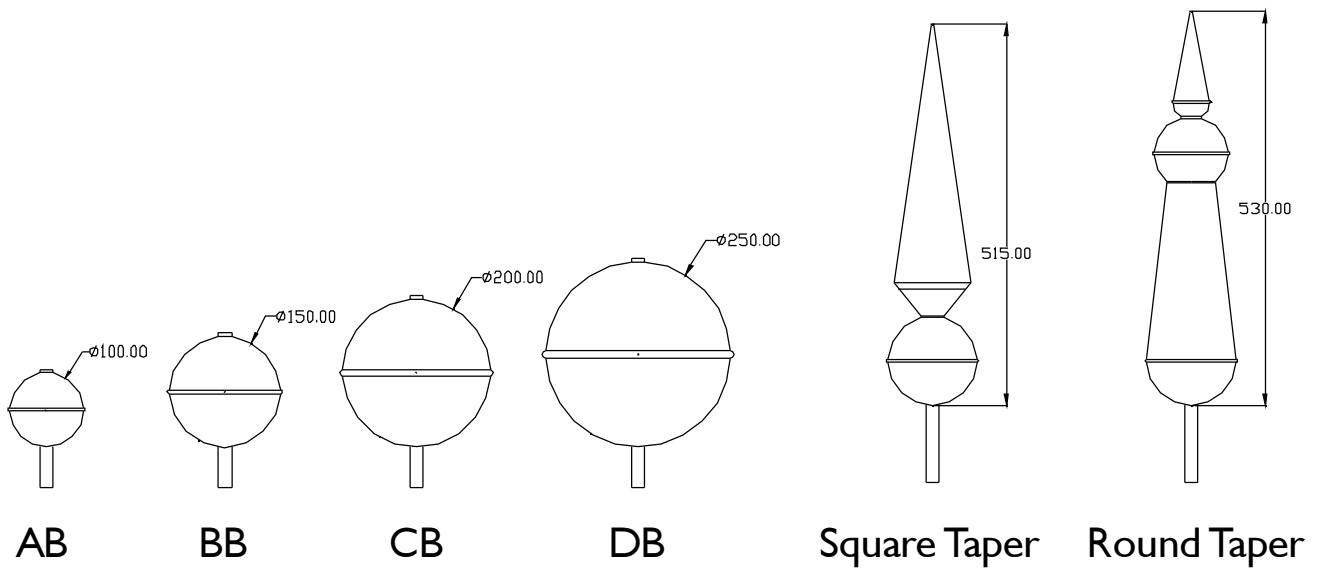


Standard Copper Finial Prices

	Copper Finial - Polished			
Order Code	COPAP	COPBP	COPCP	COPDP
Height	245mm	345mm	455mm	590mm
Price	1080 SEK	1320 SEK	1680 SEK	2160 SEK
	Copper Finial - Verdigris			
Order Code	COPAV	COPBV	COPCV	COPDV
Height	245mm	345mm	455mm	590mm
Price	1440 SEK	1680 SEK	2040 SEK	2520 SEK
	Copper Air Rod - Polished			
Order Code	COPAAP	COPABP	COPACP	COPADP
Height	460mm	610mm	760mm	915mm
Price	2400 SEK	2520 SEK	2640 SEK	2880 SEK
	Copper Air Rod - Verdigris			
Order Code	COPA AV	COPABV	COPACV	COPADV
Height	460mm	610mm	760mm	915mm
Price	2760 SEK	2880 SEK	3000 SEK	3240 SEK

All prices are excluding VAT

Ball Copper Finials



Ball Copper Finial Prices

Copper Ball finials					
AB			1080 SEK		
BB			1320 SEK		
CB			1620 SEK		
DB			2160 SEK		
Copper Tapered Finials			Copper Tapered Finials	Copper Tapered Finials	
Square			GD701	2400 SEK	
Round			GD702	2400 SEK	
Individual Copper Balls					
4"	6"	8"	10"	12"	16"
COPPERBALL4	COPPERBALL6	COPPERBALL8	COPPERBALL10	COPPERBALL12	COPPERBALL16
600 SEK	840 SEK	1200 SEK	1680 SEK	2160 SEK	2640 SEK

Copper balls are supplied in natural finish spun copper with a 20mm hole top and bottom

All prices are excluding VAT

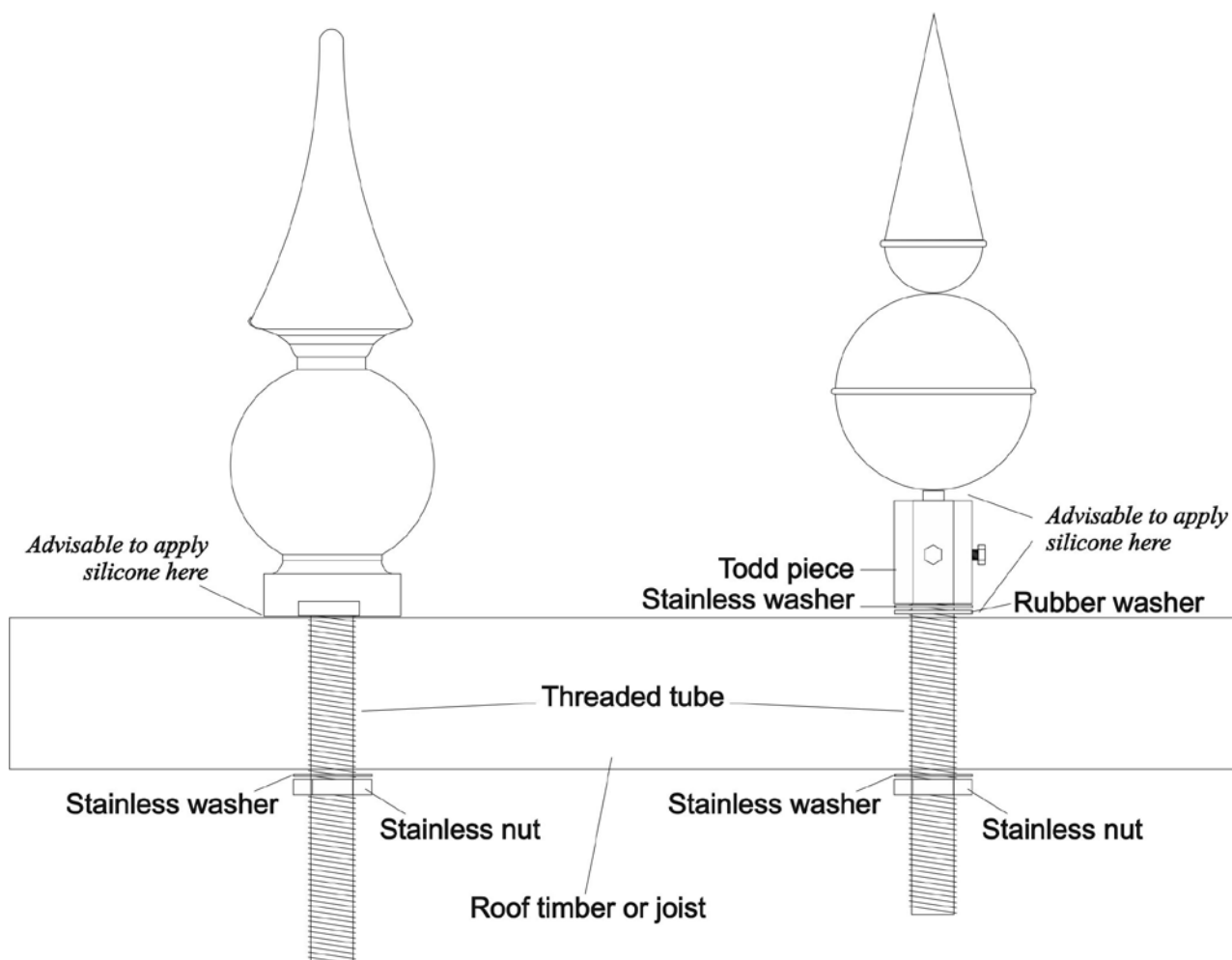
Finial Fixing Kits

GRP finial fixing kit

- 1 x M20 x 200mm studding
- 1 x Stainless nut
- 1 x Stainless washer

Copper finial fixing kit

- 1 x M20 x 200mm studding
- 1 x Stainless nut
- 2 x Stainless washers
- 1 x Rubber washer
- 1 x Hexagonal todd piece



Finial Fixing Kit Prices

Fixing Kits		
Copper Finial / Air Rod Fixing Kit	CFFK	600 SEK
GRP Finial Fixing Kit	GRPFFK	360 SEK
Extended Fixing Kit OVER 200mm	EXB	POA

All prices are excluding VAT

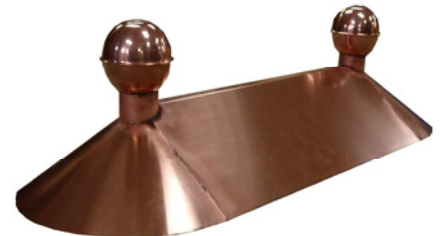
Bespoke GRP Finial Gallery

Our standard range of GRP finials can be adapted to suit customers requirements, matching them to a preferred colour or adding a skirt so they can be used to cap a roof. Alternatively we can manufacture a totally bespoke finial to the customers own design.



Bespoke Copper Finial Gallery

Replicas of original finials or bespoke designs can be manufactured in copper. We can also adapt our standard copper finials by adding additional balls, scrolls, base skirts or ridge cappings.



Bespoke Metal Finial Gallery

We produce custom finials to suit individual designs, such as crosses for churches, crescent moons for mosques or even internally illuminated colour changing finials. We can produce finials in Aluminium, Mild Steel, Stainless Steel and Copper.

